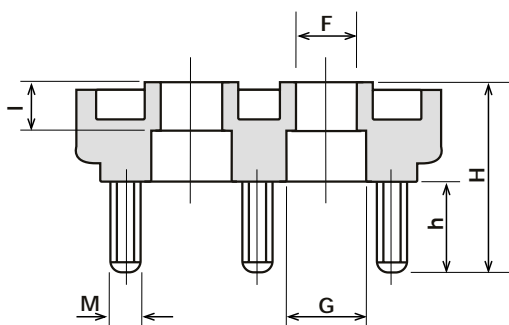
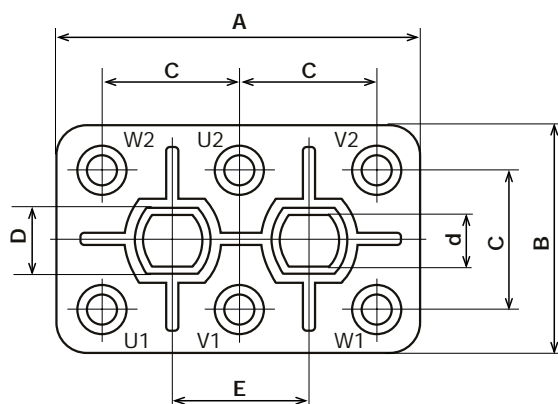


# Morsettiere Serie F.C.

## Terminal Blocks Series F.C.

con 6 perni fissi a base cilindrica  
with 6 fixed base cylindrical studs



Codice Code	Modello Model	A	B	C	D	d	E	F	G	H	h	I	M
0115 MR	F.C. 40.25	40	25	15	8.5	4	12-18	7.0	8.5	20	10	5	M 3
0116 MR	F.C. 40.25	40	25	15	8.5	4.5	12-18	7.0	9	20	12	5	M 4
0117 MR	F.C. 50.32	50	32	18	9.5	5.5	15-21	6.0	9.5	22	12	6	M 4
0118 MR	F.C. 56.36	56	36	20	9.5	5.5	16-23	7.5	11.5	27	15	8	M 5
0119 MR	F.C. 70.45	70	45	25	10.5	6.5	23-28	9.5	13.0	31	16	9	M 6
0120 MR	F.C. 82.52	82	52	30	11.0	6.5	25-34	10.0	15.0	34	16	15	M 6
0121 MR	F.C. 82.52	82	52	30	11.0	6.5	25-34	10.0	15.0	42	23	15	M 8
0122 MR	F.C. 95.60	95	60	35	16.0	7.5	29-39	12.0	19.0	47	23	14	M 8
0123 MR	F.C. 115.70	115	70	45	16.0	10.0	40-47	14.0	19.0	50	28	14	M 8
0124 MR	F.C. 95.60	95	60	35	16.0	7.5	29-39	12.0	19.0	47	25	14	M 10
0125 MR	F.C. 115.70	115	70	45	16.0	10.0	40-47	14.0	19.0	50	28	14	M 10
0126 MR	F.C. 125.80	125	80	45	16.0	11.0	40-49	15.0	21.0	58	32	15	M 12
0127 MR	F.C. 145.90	145	90	54	24.0	14.0	45-61	22.0	32.0	67	36	17	M 14
0128 MR	F.C. 165.100	165	100	62	23.0	13.0	52-74	23.0	30.0	78	40	28	M 16
0129 MR	F.C. 240.150	240	150	90	30.0	17.0	84-95	22.0	35.0	105	56	32	M 20

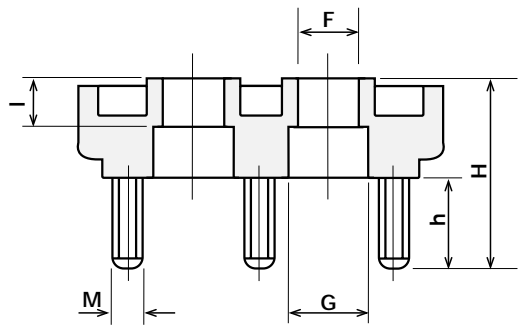
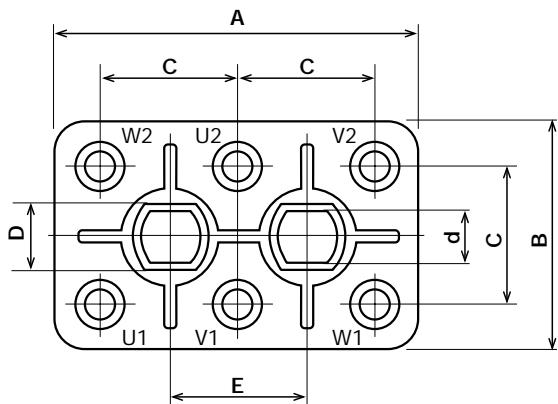
DOTAZIONE METALLICA STANDARD: 12 dadi, 3 piastrine, 6 rondelle  
METALLIC STANDARD EQUIPMENT: 12 nuts, 3 links, 6 washers

# Morsettiere Serie F.C.

## Terminal Blocks Series F.C.

con 6 perni fissi a base cilindrica  
in acciaio zincocromato

with 6 fixed base cylindrical  
in steel zinc plated chromate studs



Codice	Code	Modello	Model	A	B	C	D	d	E	F	G	H	h	I	M
0151	MR	F.C.	40.25	40	25	15	8.5	5	12-18	7	8.5	22	12	5	M 4
0152	MR	F.C.	50.32	50	32	18	10.5	5.5	15-21	9.5	10.5	23	12	6	M 4
0153	MR	F.C.	56.36	56	36	20	11.5	6	16-23	9	10	27	15	6	M 5
0154	MR	F.C.	70.45	70	45	25	16.5	9.5	21-25	12	13	29	16	9	M 6
0155	MR	F.C.	95.60	95	60	35	16	7.5	29-39	12	19	47	25	19	M 8

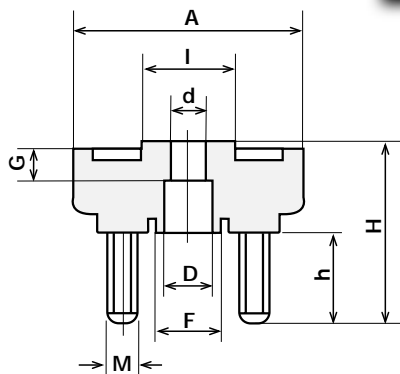
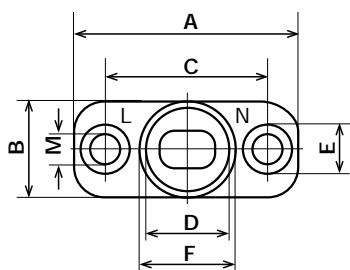
DOTAZIONE METALLICA STANDARD: 12 dadi, 3 piastrine, 6 rondelle  
METALLIC STANDARD EQUIPMENT: 12 nuts, 3 links, 6 washers

# Morsettiere Serie F.C.

Terminal Blocks Series F.C.

con 2 perni fissi a base cilindrica

with 2 fixed base cylindrical studs



Codice Code	Modello Model	A	B	C	D	d	E	F	G	H	h	I	M
0189 MR	F.C. 40.16	40	16	29	12	8	6	15.5	5	21	10	13	M 4

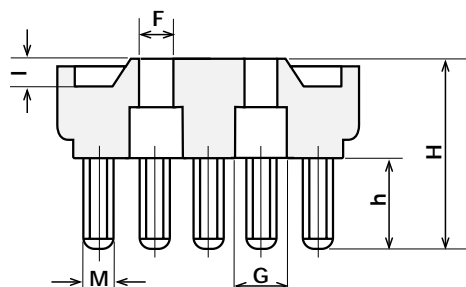
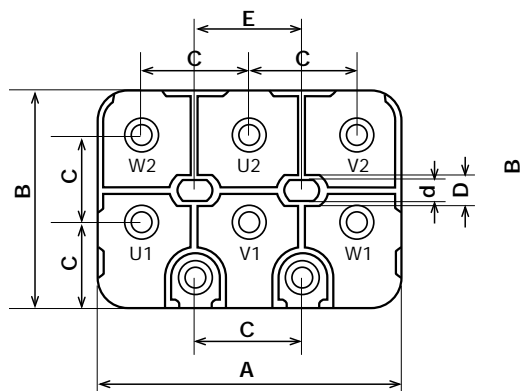
DOTAZIONE METALLICA STANDARD: 4 dadi, 2 rondelle  
 METALLIC STANDARD EQUIPMENT: 4 nuts, 2 washers

# Morsettiere Serie F.C.

Terminal Blocks Series F.C.

con 8 perni fissi a base cilindrica

with 8 fixed base cylindrical studs



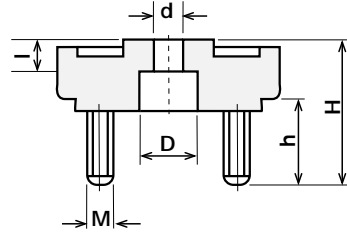
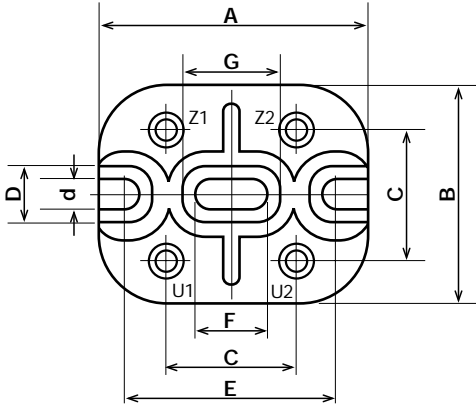
Codice Code	Modello Model	A	B	C	D	d	E	F	G	H	h	I	M
0192 MR	F.C. 50.40	50	40	18	11	8	17	6.5	10	25	10	6	M 4

DOTAZIONE METALLICA STANDARD: 14 dadi, 3 piastrine, 8 rondelle  
 METALLIC STANDARD EQUIPMENT: 14 nuts, 3 links, 8 washers

# Morsettiere Serie F.C.

## Terminal Blocks Series F.C.

**con 4 perni fissi a base cilindrica**  
**with 4 fixed base cylindrical studs**



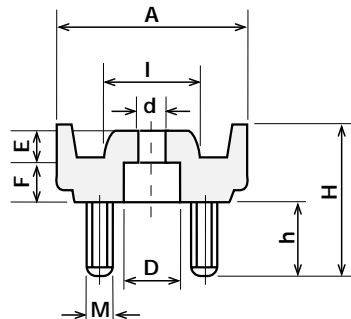
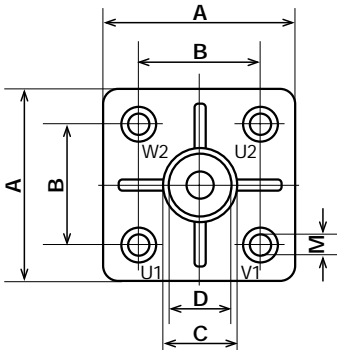
Codice Code	Modello Model	A	B	C	D	d	E	F	G	H	h	I	M
0191 MR	F.C. 38.30	38	30	18	8	4.5	29	10	14	20	10	4	M 4

DOTAZIONE METALLICA STANDARD: 8 dadi, 2 piastrine, 4 rondelle  
 METALLIC STANDARD EQUIPMENT: 8 nuts, 2 links, 4 washers

# Morsettiere Serie F.C.

## Terminal Blocks Series F.C.

**con 4 perni fissi a base cilindrica**  
**with 4 fixed base cylindrical studs**



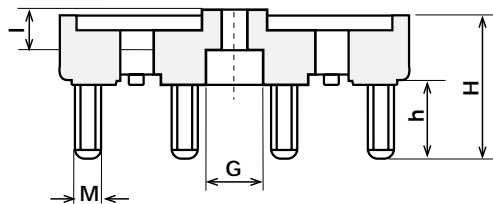
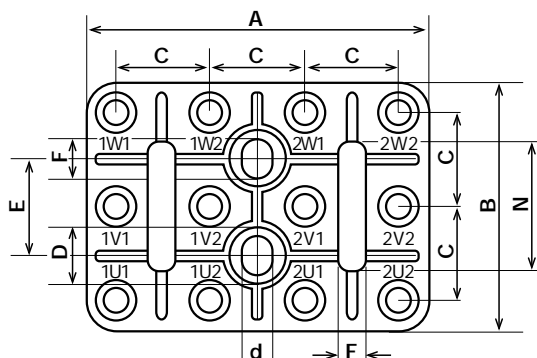
Codice Code	Modello Model	A	B	C	D	d	E	F	H	h	I	M
0190 MR	F.C. 32,32	32	18	13.5	10	4	7.5	7	25	12	16	M 4

DOTAZIONE METALLICA STANDARD: 8 dadi, 2 piastrine, 4 rondelle  
 METALLIC STANDARD EQUIPMENT: 8 nuts, 2 links, 4 washers

# Morsettiere Serie F.C.

## Terminal Blocks Series F.C.

con 12 perni fissi a base cilindrica  
with 12 fixed base cylindrical studs



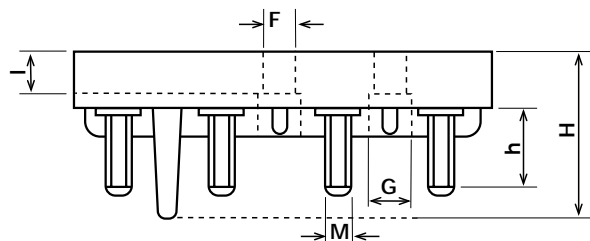
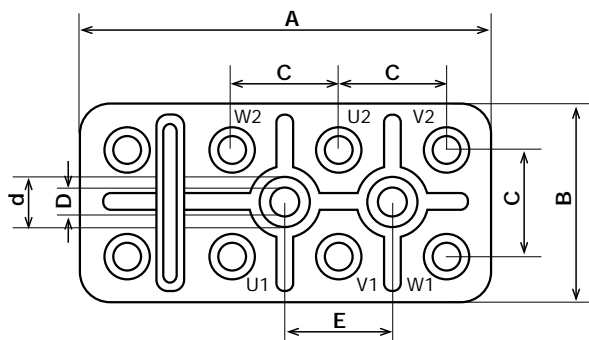
Codice	Code	Modello	Model	A	B	C	D	d	E	F	G	H	h	I	N	M
0211	MR	F.C.	64.46	64	46	18	10	5,5	18	6	10	21	10	4,5	25	4
0212	MR	F.C.	72.52	72	52	20	11	6	17-22	7,5	11,5	29	15	7	29	5
0213	MR	F.C.	90.65	90	65	25	15	6	25	10	13,5	32	16	11	34	6

DOTAZIONE METALLICA STANDARD: 24 dadi, 6 piastrine, 12 rondelle  
METALLIC STANDARD EQUIPMENT: 24 nuts, 6 links, 12 washers

# Morsettiere Serie F.C.

## Terminal Blocks Series F.C.

con 8 perni fissi a base cilindrica  
with 8 fixed base cylindrical studs



Codice	Code	Modello	Model	A	B	C	D	d	E	F	G	H	h	I	M
0216	MR	F.C.	74.36	74	36	20	6,5	10	20	6,5	10	30	15	7,5	M 5

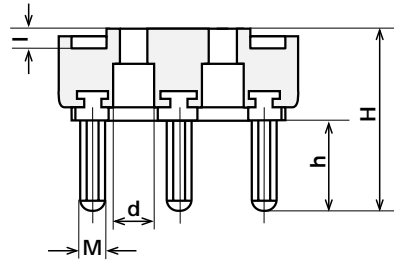
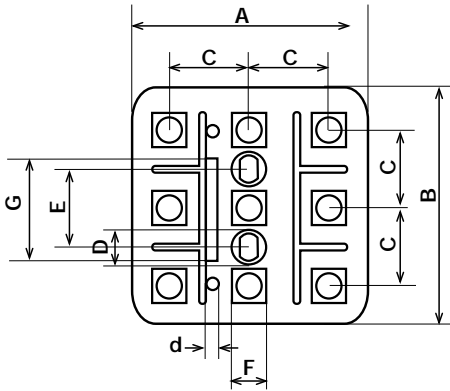
DOTAZIONE METALLICA STANDARD: 14 dadi, 3 piastrine, 8 rondelle  
METALLIC STANDARD EQUIPMENT: 14 nuts, 3 links, 8 washers

# Morsettiere Serie F.Q.

Terminal Blocks Series F.Q.

con 9 perni fissi a base quadra

with 9 fixed base square studs



Codice Code	Modello Model	A	B	C	D	d	di	E	F	G	Gi	H	h	I	M
0201 MR	F.Q. 50.50	50	50	18	9	9.0	4	16-20	5.2	23	4.5	24	12	6	M 4

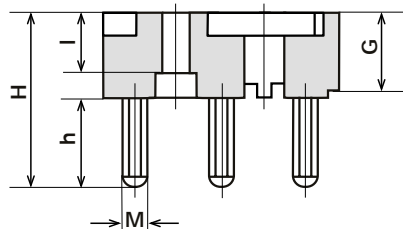
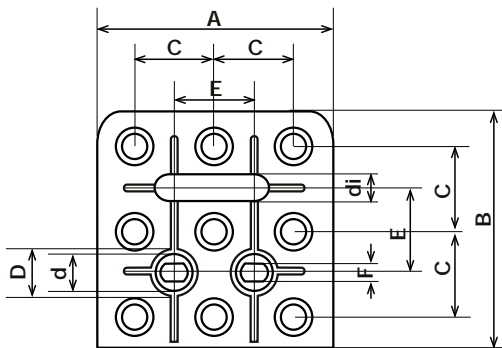
DOTAZIONE METALLICA STANDARD: 18 dadi, 3 piastrine, 9 rondelle  
 METALLIC STANDARD EQUIPMENT: 18 nuts, 3 links, 9 washers

# Morsettiere Serie F.C.

Terminal Blocks Series F.C.

con 9 perni fissi a base cilindrica

with 9 fixed base cylindrical studs



Codice Code	Modello Model	A	B	C	D	d	di	E	F	G	H	h	I	M
0205 MR	F.C. 65.65	65	65	25	19	13	10	25	6.5	14	31	16	11	M 6

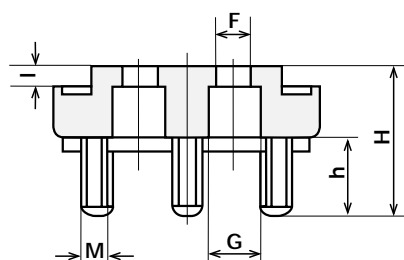
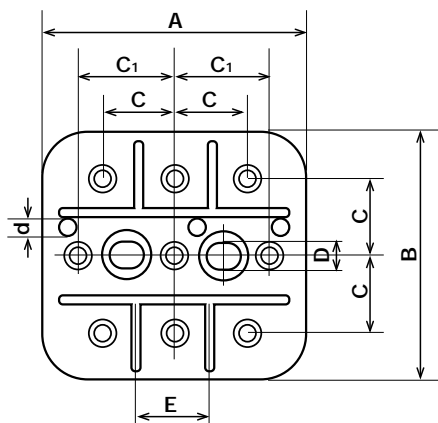
DOTAZIONE METALLICA STANDARD: 18 dadi, 3 piastrine, 9 rondelle  
 METALLIC STANDARD EQUIPMENT: 18 nuts, 3 links, 9 washers

# Morsettiere Serie F.C.

Terminal Blocks Series F.C.

con 9 perni fissi a base cilindrica

with 9 fixed base cylindrical studs



Codice Code	Modello Model	A	B	C	Ci	D	d	E	F	G	H	h	I	M
0195 MR	F.C. 50.40	50	40	14	16	4.5	3.5	14-19	7	9.0	24	12	4	M 4
0196 MR	F.C. 62.45	62	45	15	20	6.0	4.0	17-23	8.5	10.0	27	14	5	M 5

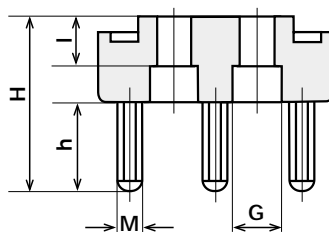
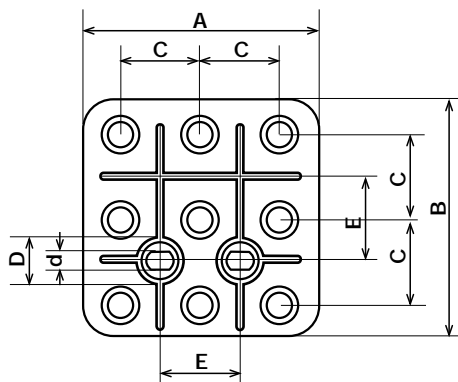
DOTAZIONE METALLICA STANDARD: 18 dadi, 3 piastrine, 9 rondelle  
 METALLIC STANDARD EQUIPMENT: 18 nuts, 3 links, 9 washers

# Morsettiere Serie F.C.

Terminal Blocks Series F.C.

con 9 perni fissi a base cilindrica

with 9 fixed base cylindrical studs



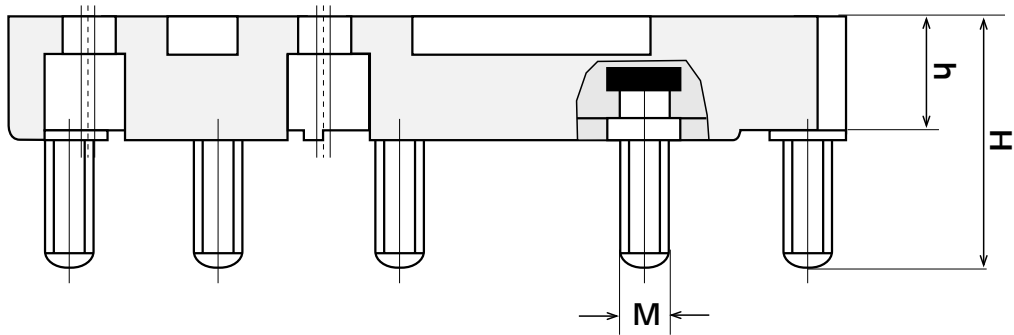
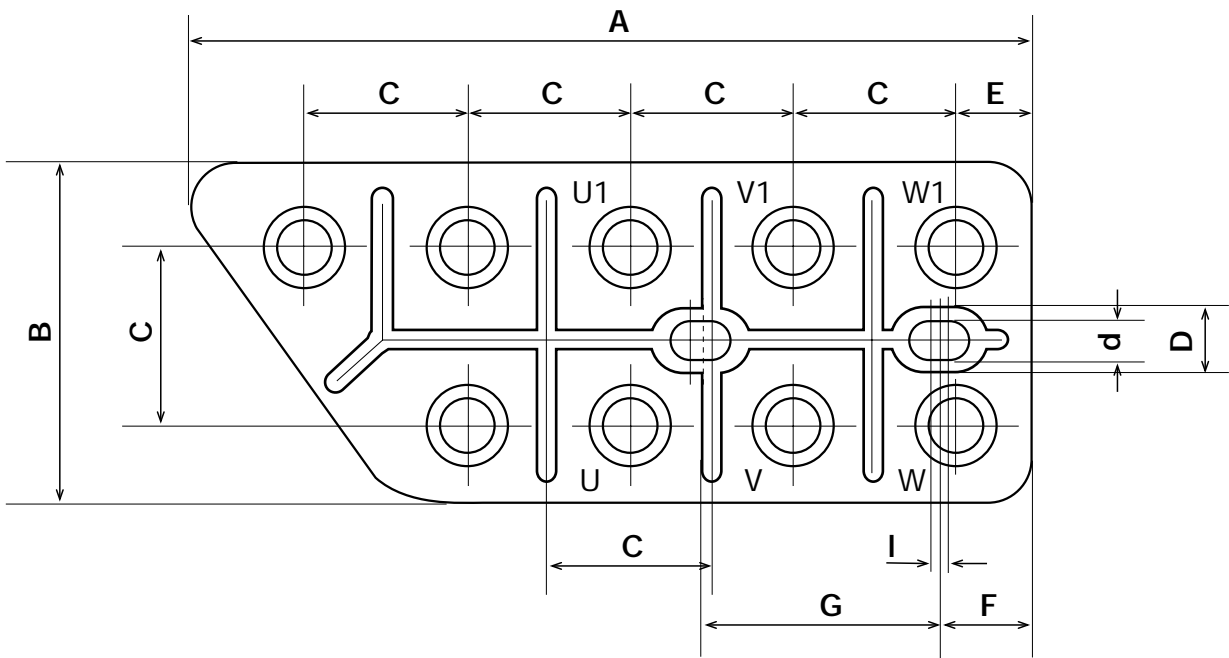
Codice Code	Modello Model	A	B	C	D	d	E	F	G	H	h	I	M
0197 MR	F.C. 40.40	40	40	15	8	4.5	13-17	6	8	21	10	7	M 4

DOTAZIONE METALLICA STANDARD: 18 dadi, 3 piastrine, 9 rondelle  
 METALLIC STANDARD EQUIPMENT: 18 nuts, 3 links, 9 washers

# Morsettiere Serie F.C.

## Terminal Blocks Series F.C.

con 9 perni fissi a base cilindrica  
with 9 fixed base cylindrical studs



Codice Code	Modello Model	A	B	C	D	d	E	F	G	H	h	I	M
0207 MR	F.C. 134.50	134	50	28	7	12	11	13,5	41	48	23	3	M 8

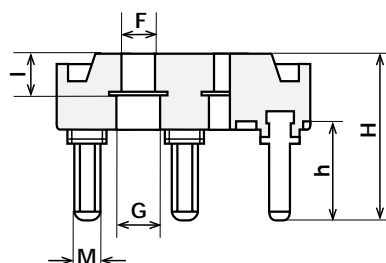
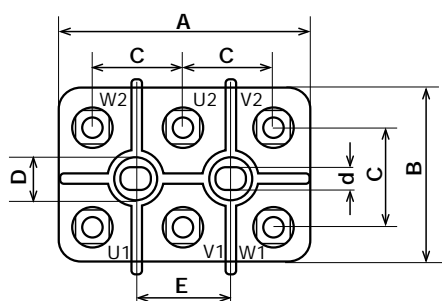
DOTAZIONE METALLICA STANDARD: 18 dadi, 4 piastrine, 9 rondelle  
METALLIC STANDARD EQUIPMENT: 18 nuts, 4 links, 9 washers



# Morsettiere Serie F.Q. a sicurezza aumentata

Terminal Blocks Series F.Q.  
increased security

con 6 perni fissi a base quadra  
with 6 fixed base square studs



## Caratteristiche Specifications

Isolante  
Insulating

Araldite NU 461

Elementi di connessione  
Elements of connection

Antiscintillio  
Antisparking

Codice Code	Modello Model	A	B	C	D	d	E	F	G	H	h	I	M
0142 MR	F.Q. 64.46	64	46	23	10.0	5.0	23.0	5.0	10.0	33	12	9	M 5

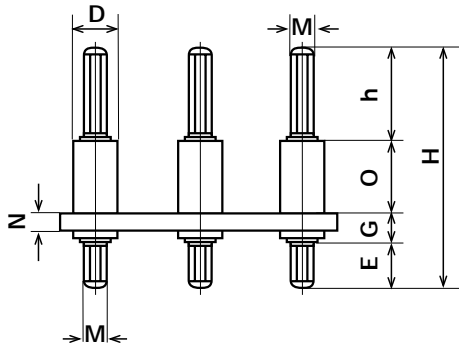
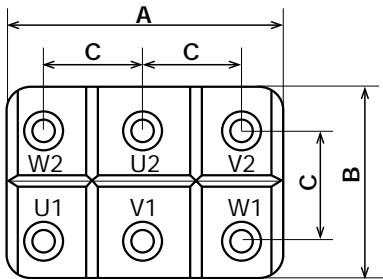
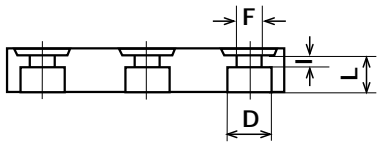
DOTAZIONE METALLICA STANDARD: 6 dadi, 3 piastrine, 6 rondelle grower; 6 serrafili, 6 capicorda preisolati  
METALLIC STANDARD EQUIPMENT: 6 nuts, 3 links, 6 washers grower, 6 clamping screws, 6 ring terminals

# Morsettiere Serie A.D. antideflagranti

Terminal Blocks Series A.D.  
explosion-proof

con 6 perni fissi doppia filettatura  
a base cilindrica

with 6 fixed double screw thread  
base cylindrical studs



## Caratteristiche Specifications

Isolante  
Insulating

Makrolon 8030

Codice Code	Modello Model	AxB	C	D	E	F	G	H	h	I	L	O	M
0182 MR	A.D. 50.32	50•32	16	10	10	6.4	13	57	18	4.3	9	16	M 5

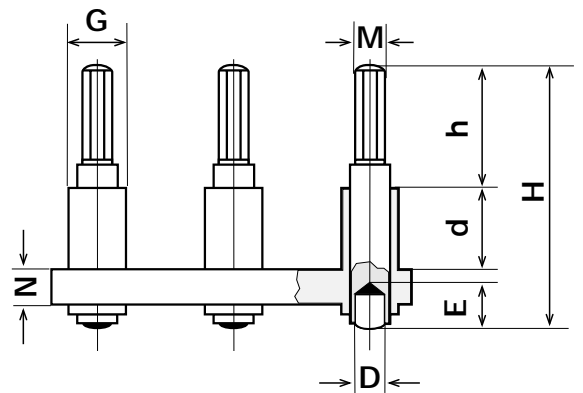
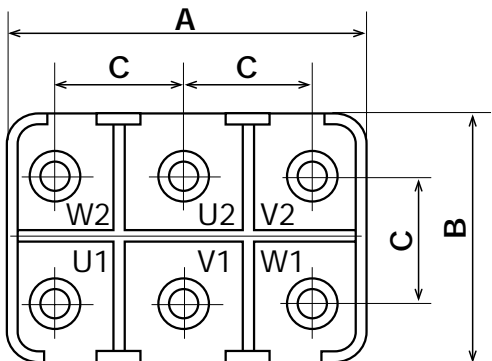
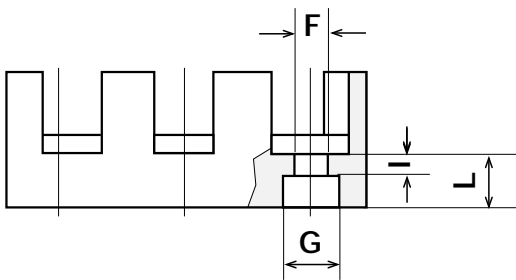
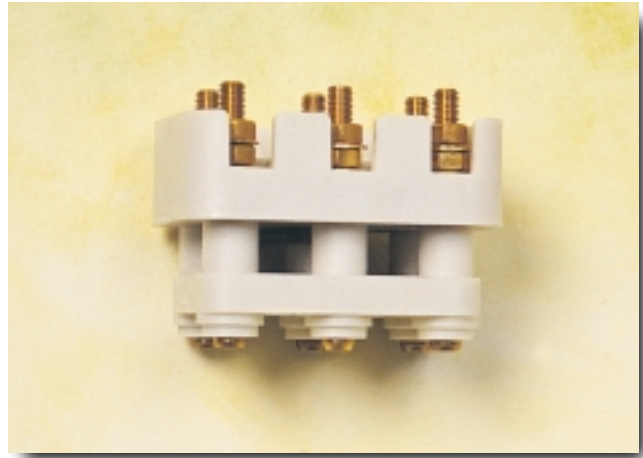
DOTAZIONE METALLICA STANDARD: 18 dadi, 3 piastrine, 12 rondelle, 6 rondelle grower  
METALLIC STANDARD EQUIPMENT: 18 nuts, 3 links, 12 washers, 6 washers grower

# Morsettiere Serie A.D. antideflagranti

Terminal Blocks Series A.D.  
explosion-proof

con 6 perni fissi a base cilindrica

with 6 fixed base cylindrical studs



## Caratteristiche Specifications

Isolante  
Insulating

Makrolon 8030

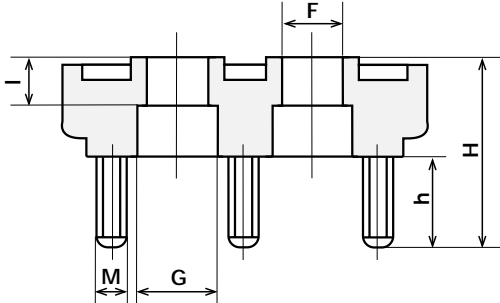
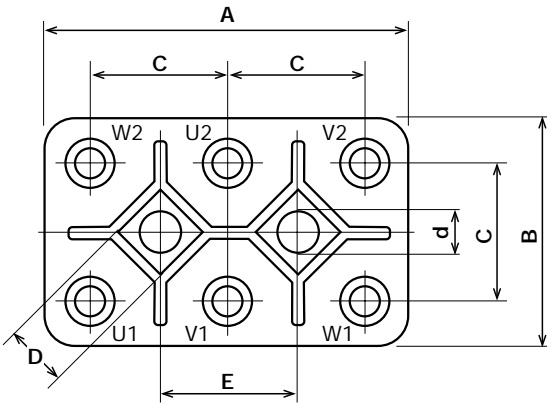
Codice Code	Modello Model	A	B	C	D	d	E	F	G	H	h	I	L	N	M
0172 MR	A.D. 59.39	59	39	20	3.7	14	5.5	6.4	10	47.5	20	4	9	7	M 5
0173 MR	A.D. 77.49	77	49	25	5.8	21.2	6.2	9.0	15	66	32	5	12	7	M 6
0174 MR	A.D. 77.49	77	49	25	5.8	21.2	6.2	9.0	15	66	32	5	12	7	M 8
0175 MR	A.D. 120.75	120	75	44	9.5	28.0	7.0	12.5	23	89	42.5	6	15	11	M 10
0176 MR	A.D. 120.75	120	75	44	9.5	28.0	7.0	12.5	23	89	42.5	6	15	11	M 12

DOTAZIONE METALLICA STANDARD: 12 dadi, 3 piastrine, 6 rondelle  
METALLIC STANDARD EQUIPMENT: 12 nuts, 3 links, 6 washers

# Morsettiere Serie F.C.

## Terminal Blocks Series F.C.

con 6 perni fissi a base cilindrica  
with 6 fixed base cylindrical studs



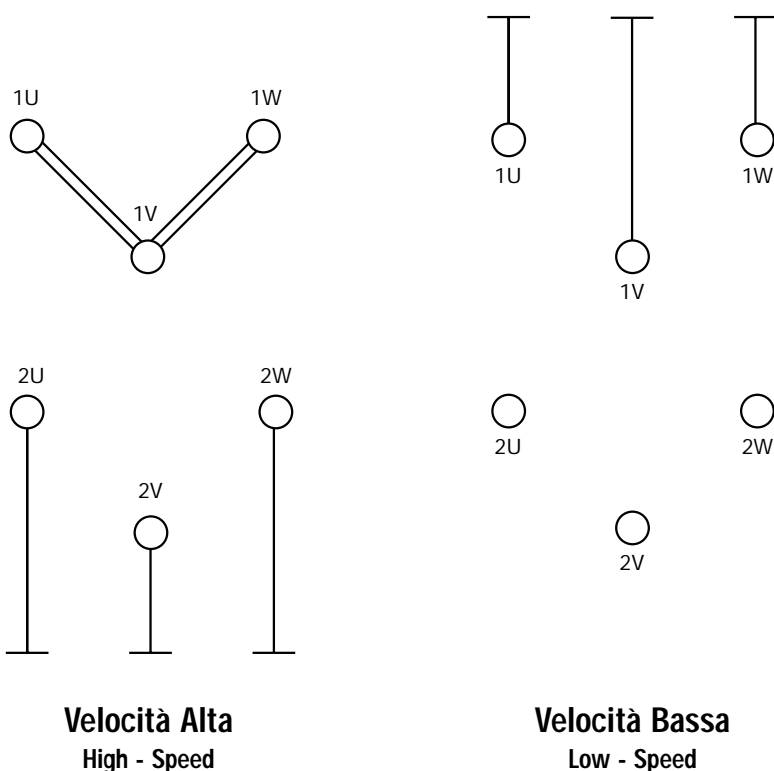
Codice Code	Modello Model	A	B	C	D	d	E	F	G	H	h	I	M
0131 MR	F.C. 54.34	54	34	20	10.0	6.0	20	6.0	10.0	25	12	6	M 4
0132 MR	F.C. 64.40	64	40	23	12.0	6.0	23	6.0	12.0	29	15	8	M 5

DOTAZIONE METALLICA STANDARD: 12 dadi, 3 piastrine, 6 rondelle  
METALLIC STANDARD EQUIPMENT: 12 nuts, 3 links, 6 washers

# Morsettiere predisposte con siglatura per motori elettrici a due velocità

Preset initialed terminal blocks for two-speed electric motors

## 2 Polarità - 1 Avvolgimento - 1 Tensione 2 Polarities - 1 Winding - 1 Tension



Codice Code	Modello Model	Pagina Page
0116-V2 F.C.	40-25 M4	1
0152-V2 F.C.	50-32 M4	2
0118-V2 F.Q.	56-36 M5	1
0119-V2 F.Q.	70-45 M6	1
0120-V2 F.C.	82-52 M6	1
0121-V2 F.C.	82-52 M8	1
0122-V2 F.C.	95-60 M8	1

Codice Code	Modello Model	Pagina Page
0124-V2 F.C.	95-60 M10	1
0125-V2 F.C.	115-70 M10	1
0126-V2 F.C.	125-80 M12	1
0127-V2 F.C.	145-90 M14	1
0128-V2 F.C.	165-100 M16	1
0129-V2 F.C.	240-150 M20	1